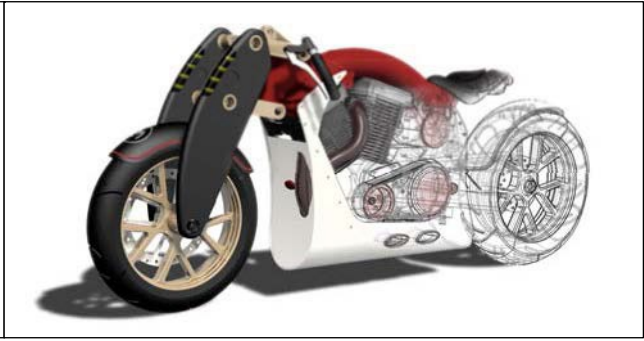
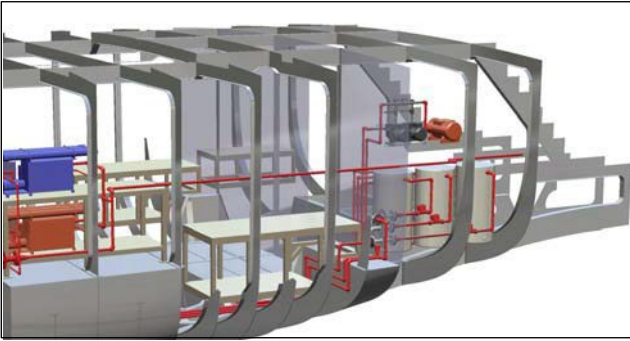


SmartForm PROFESSIONAL



The product definition process completely covered

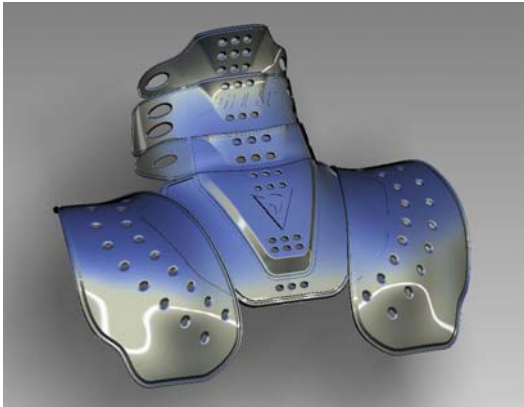


The *SF Professional* solution covers the entire product definition cycle, meeting the needs of those working in **Styling, Engineering and Tooling departments**. It encompasses all the experience gained by SmartForm in the field while supporting clients, and all the power of the *SmartForm* suite that, version after version, has developed to achieve levels of integrity and flexibility that are still unique in the CAD/PLM market. The range of tools is amazingly rich. Using functions such as 2D, 2D & 3D integration, curve creation & editing, surfaces and solids, sheet metal, tubing, assembly management, table creation, animation, mechanical component libraries, FEM integration, rendering and more, the project materializes in the product. Integration with the *SF* suite means all data is managed perfectly. One of the benefits of using a unique solution like *SF Professional* throughout the various product definition phases lies in the **elimination of the communication barriers among designers, engineers and molding and equipment technicians**, due to the possibility of intervention without losing the work done by other departments. Thanks to the advantages of the solid modeling, the flexibility of the free form surface models and the impressive **GSM** editing tools, you can make highly creative and precise modifications to any type of shape, be it native or imported, while keeping complete association.

From conception to shape without fearing modifications

In order to keep the creative intentions of the designer unaltered, images in the standard graphic formats originating from scanners or graphic processing applications can be entered in the 3D workspace. These can be used as a basic sketch on which to construct curves and surfaces required to form the shape. In the subsequent phases of modeling and editing, SmartForm's **Global Shape Modeling**, called **GSM**, provides an incredibly high level of technological innovation that is easier to use than ever before. It is currently the **only creation and editing tool** that lets you make fast controlled changes with great accuracy and precision, at any phase of the project process, thereby accelerating interactions **without limiting creativity and without having to rebuild models**.



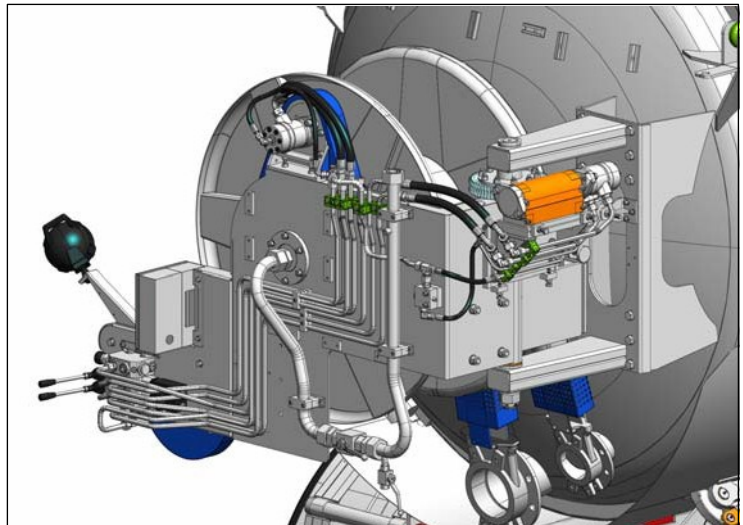


Hybrid Modeling

Interactive Solid Modeling (ISM) frees users from the parametric logic made of **profiles & constraints** and from the **sequences** with which a solid model was built, to directly obtain the expected modification result. Move, replace and remove faces simply and dynamically, and generate offsets and close topologies that are open on native and imported solid geometries. **SF Professional** is the only software on the market to offer authentic **hybrid modeling**, perfectly **integrating solids & surfaces** in the **same environment**, thus meeting the needs of designers, engineers and technicians, ensuring innovative modeling abilities, all in a flexible design environment that is easy to use.

Part and assembly design

SF Professional offers designers innovative tools to engineer parts and assemblies. It supports both the **"top-down"** and the **"bottom-up"** approaches, letting users choose according to their needs. Simplified representation allow **faster loading and viewing of large assemblies**, keeping the parametric behavior unaltered. **Visual bookmarks** make viewing operations easier and **symbolic references** allow the prompt replacement of components or sub-assemblies. **Animation** and **collisions check** detect any interference among the parts of the same assembly. **Smart objects** are very useful, as they incorporate and reapply working sequences by capturing and sharing the know-how of the design and **adaptive measures** which, by reading the dimensional values from the surrounding geometry, allow measurements to be entered rapidly and can create valuable parametric links.



2D and 3D Translators

SF Professional features 2D translators for DWG, DXF, IGES and GBG Draftmaker formats, as well as 3D translators for IGES, STEP, STL, VDA, VRML, WaveFront and IV formats, the neutral format of SmartForm and ASCII. Other SF translation platforms (purchased separately) support most of the proprietary 3D formats as well as the bidirectional conversion of Catia V5, Pro/E and Parasolid files. The bidirectional converter for Catia V4 files is also available (2D included).

Images courtesy of:
GP Service, Lagostina, Dainese, Jurop

System Requirements for SmartForm Professional

Minimum

- Vista™, XP Pro x64 Edition, XP Pro or higher
Microsoft® Windows®-7 x64 Pro or higher
- Intel® Core-i5 2.66 GHz or equivalent processors by AMD systems
- System memory (RAM) 2 GB, 8 GB for x64
- Virtual memory (paging) 1 GB
- Disk space 1.5 GB for a typical installation
- Graphics accelerator 1 GB Vram OpenGL™
- Microsoft® .NET Framework Version 3.5 or higher
- Microsoft® Internet Explorer 8.0 SP1 or higher

Suggested

- Vista™, XP Pro x64 Edition, XP Pro or higher
Microsoft® Windows®-7 x64 Pro or higher
- Intel® Core-i7 3.2 GHz or equivalent processors by AMD systems
- System memory (RAM) 2 GB, 16 GB for x64
- Virtual memory (paging) 2 GB
- Disk space 1.5 GB for a typical installation
- Graphics accelerator 2 GB Vram OpenGL™
- Microsoft® .NET Framework Version 3.5 or higher
- Microsoft® Internet Explorer 8.0 SP1 or higher